



Town of Nipawin  
Centennial/Jubilee Arena Advertising Opportunity

**REQUEST FOR PROPOSAL  
NUMBER 2020-04**

210 – 2<sup>nd</sup> Avenue East  
Nipawin, SK. S0E 1E0

Issue Date: August 25<sup>th</sup>, 2020

---

## Introduction

The Town of Nipawin (Town) requests proposals to design, provide, and install advertising on the Centennial/Jubilee Arena Zamboni. The Town will select one (1) Supplier to advertise their company/organization information on the Zamboni outlined in this request.

Questions/Inquiries regarding the Request for Proposal may be submitted via email or phone to:

*Chelsea Corrigan,*  
Director of Parks & Recreation  
1-306-862-9866  
[c.corrigan@nipawin.com](mailto:c.corrigan@nipawin.com)

### **Closing Location:**

Town of Nipawin Office  
c/o Director of Parks & Recreation  
210 – 2<sup>nd</sup> Avenue East  
Nipawin, SK. S0E 1E0

### **Closing Date & Time:**

The Town of Nipawin requires one (1) complete copy of each proposal be received by 2:00pm on Tuesday, September 22<sup>nd</sup>, 2020.

## Scope of Project

This project consists of design, procurement, and installation of advertisement on the Centennial/Jubilee Arena Zamboni. The Supplier must supply the advertisement, which must be pre-approved by the Town. The advertiser would be given first right of refusal for renewal for the following seasons until such time that the Zamboni would be replaced.

Proposals are to include the proposed advertising fee that would be paid to the Town of Nipawin per season, purchase of the advertisement by the Supplier, and installation of the advertisement by Supplier.

The Town of Nipawin shall be exempt for any liability for costs incurred by unsuccessful Suppliers in preparation of the proposals.

## Proposal Document Guidelines

The Town of Nipawin reserves the right to amend or revise the Proposal Document at any time prior to closing. Prospective bidders will be informed of all changes.

Should a bidder find discrepancies in, or omissions from, the Proposal Document, or the bidder be in doubt to the terms, conditions or specifications, the bidder should at once notify the Town, who may amend or revise the Proposal Document pursuant to the clause above, as necessary. To which end, the submission of a proposal shall be conclusive evidence that the bidder has carefully examined the Proposal Document (and any amendments or revisions pursuant to the clause above), has satisfied him/herself as to the meaning of the terms, conditions or specifications contained therein and acknowledged acceptance of thereof.

Bidders may revise or withdraw bids or proposals at any time prior to closing, provided that such revision or withdrawal is signed and executed by the person or persons authorized to sign the bid or proposal and is delivered prior to closing.

### Zamboni Specifications

Approximate size of Zamboni panels on attached document.

### Proposal Submittal & Content

Proposals must be received no later than 2:00 pm local time on Tuesday, September 22<sup>nd</sup>, 2020. One (1) copy of RFP submittal must be submitted by email, mail, or in person at the Town Office. Any submissions received after this date and time will be considered disqualified.

Request for Proposal – Centennial/Jubilee Arena Zamboni Advertising Opportunity  
Town of Nipawin  
c/o Director of Parks & Recreation  
Phone: 306.862.9866  
Box 2134, 210-2<sup>nd</sup> Avenue E  
Nipawin, Saskatchewan S0E 1E0  
[c.corrigan@nipawin.com](mailto:c.corrigan@nipawin.com)

Proponents are encouraged to submit detailed information for the Town to evaluate what is being offered. Information shall include, but is not limited to:

1. Advertising fee that would be paid to the Town of Nipawin per season.
2. Details of overall sizes and dimensions of the advertisement.
3. Time required for the installation of the advertisement on the Zamboni.
4. Pictures of the proposed advertisement design.

The Town reserves the right to reject any or all proposals with or without cause, and to accept proposals which it considers most favorable. Highest tender not necessarily accepted.

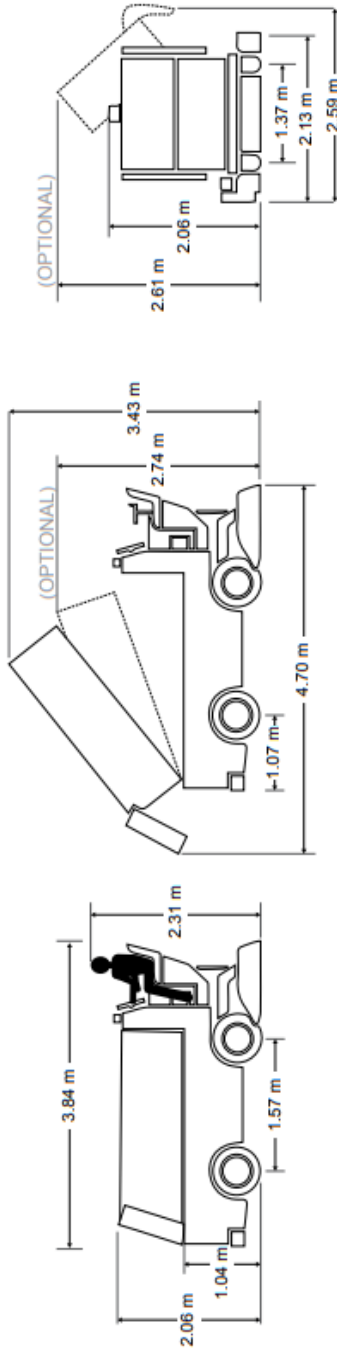
All proposal amounts shall be guaranteed for not less than sixty (60) days after the proposal submittal deadline date.

Once the contract is awarded all unsuccessful proposals will be notified in writing within ten (10) business days.

**Selection Process**

- The Town of Nipawin shall evaluate all proposals to ensure they meet the requirements of this Request for Proposals.
- Personal interviews may be conducted in the Town of Nipawin with potential Proponents.
- All unsuccessful respondents shall be notified by mail.
- THE HIGHEST BID MAY NOT NECESSARILY BE AWARDED THE CONTRACT.
- THE TOWN OF NIPAWIN RESERVES THE RIGHT TO REJECT ALL BIDS.
- Must hold a valid business licence within the Town of Nipawin.
- Proposals are NOT to include GST in their bid price.

**MODEL  
446**



<b>CAPACITIES</b>		<b>DIMENSIONS</b>			
<b>Snow Tank</b>		<b>L</b>	<b>W</b>	<b>H</b>	<b>H</b>
Actual Volume	2.66 m³	3.84 m	2.13 m	2.06 m	81 in.
Compacted	3.17 m³	4.70 m	2.13 m	3.43 m	84 in.
<b>Water</b>		<b>L</b>	<b>W</b>	<b>H</b>	<b>H</b>
Ice Making	627 L	195.6 cm	12.7 cm	1.27 cm	77 in.
Wash Water	218 L	5.0 in.			5.0 in.
Total	845 L	2.31 m			91 in.
<b>Hydraulic Oil</b>	72 L	104.1 cm			41 in.
<b>POWERTRAIN</b>		<b>Conveyor System</b>			
Four-Wheel Drive		Horizontal Auger Diameter	25.4 cm		10 in.
Engine	Mitsubishi® 2.4 L / 59 HP at 2500 RPM Four Cylinder Liquid Cooled	Vertical Auger Diameter	25.4 cm		10 in.
Transmission	Continuously variable hydrostatic pump and motor are axial-piston type.	<b>Maneuverability</b>			
Hydraulics	Powerful single pump for the vertical and horizontal augers. Hydraulic down pressure for optimal resurfacing results.	Wheelbase	1.57 m		62 in.
		Wheel Track	1.37 m		54 in.
		Turning Radius at Conditioner	4.57 m		15 ft.
<b>Axles</b>		<b>Weight</b>			
Front	1950 kg	Empty	2660 kg		5860 lb
Rear	2177 kg	with Water	3502 kg		7720 lb
<b>Brakes</b>	Full Hydrodynamic Braking with Rear Drum Brakes				